

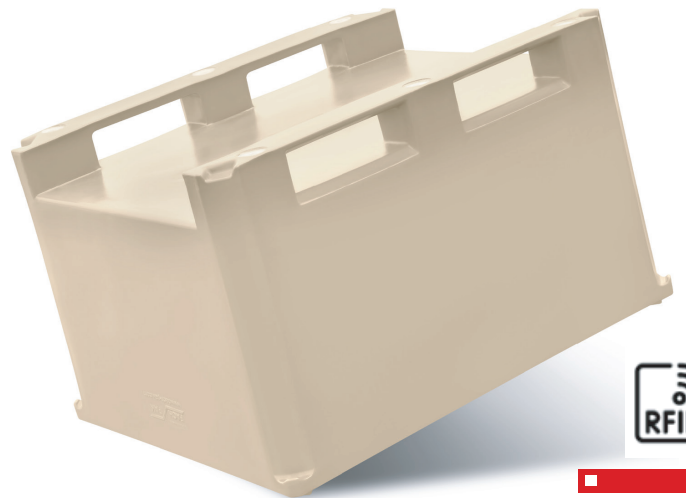


# BPLAST

Producer of the highest quality

insulated containers

## TYPE 605 PUR

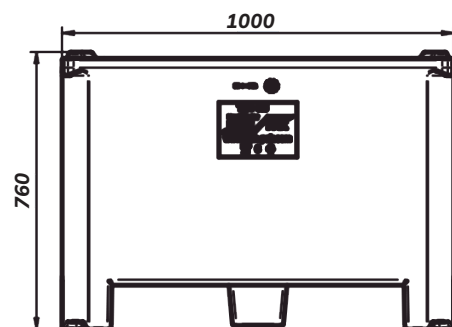
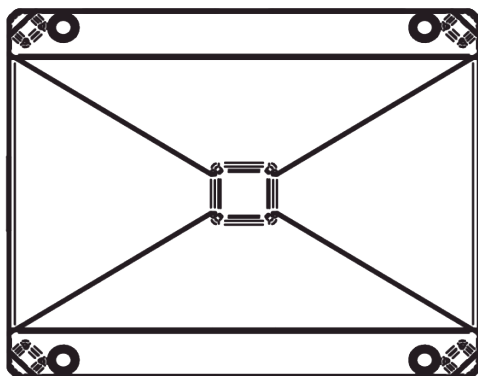
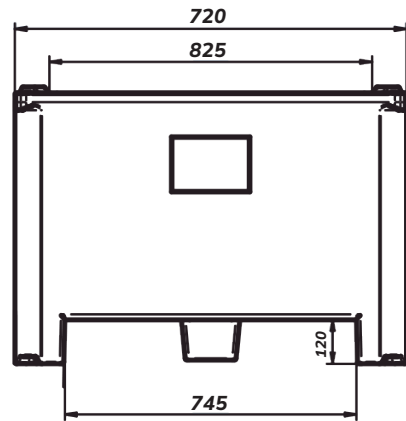
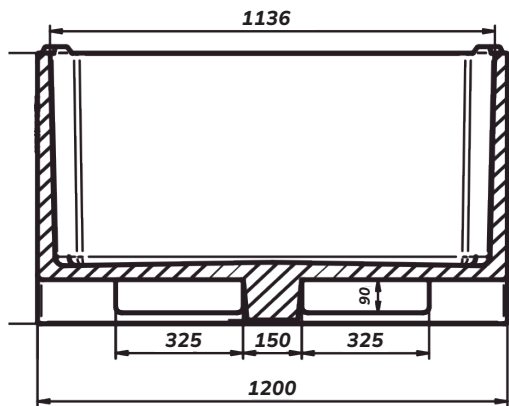


## PRODUCT SPECIFICATION



**PRODUCT ID** FP-605 PUR  
**MATERIAL** virgin PE-1A  
**INSULATION** polyurethane foam (PUR)

DIMENSIONS	Exterior	Interior maximum	Interior minimum
LENGTH	1200 mm	1136 mm	1108 mm
WIDTH	1000 mm	936 mm	913 mm
HEIGHT	760 mm	570 mm	556 mm



values in mm



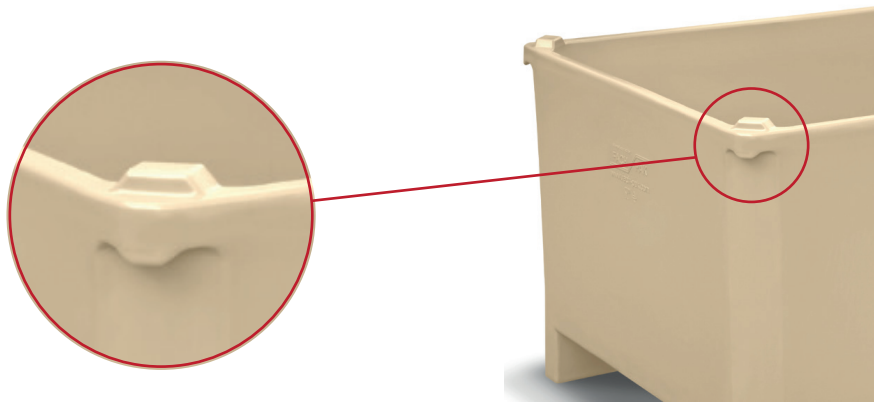
# BPLAST

Producer of the highest quality

insulated containers

<b>CAPACITY</b>	605 L
<b>WALL THICKNESS</b>	32,5 mm
<b>WEIGHT</b>	49 kg
<b>DRAIN HOLES</b>	0 - 1 - 2 / 2" BCS 56 x 4
<b>OPTION</b>	additional single central leg
<b>STACKABLE WITH</b>	type 605 / Dolav

4 interlocking lugs to prevent slipping when stacked



## CHARACTERISTIC

- smooth, solid and hygienic walls and bottom
- 2 runners
- up to 2 drainage holes with stoppers
- gravity floor and drips for easier drainage
- suitable for contact with perishable products
- strong and robust corners allowing safe operating with crane's lifting hooks
- stackable with or without lid
- rounded design for easy washing and cleaning
- pallet truck access from all 4 sides
- available in beige and blue colour, other colours upon request
- long lasting UV-protection

## IMPORTANT

- dimensional tolerance  $\pm 3\%$ , any changes and errors reserved.
- all technical data provided are guide values - they may vary because of specific applications and conditions, the information provided are based on the current knowledge and experience.
- the user is obliged to carry out its own tests and inspections before regular usage of the product.

**BPLAST**

ul. Artura Grottgera 16 E  
76-200 Słupsk, Poland (PL)

tel. +48 59 845 75 85

e-mail: [info@bplast.pl](mailto:info@bplast.pl)

[www.bplast.pl](http://www.bplast.pl)