

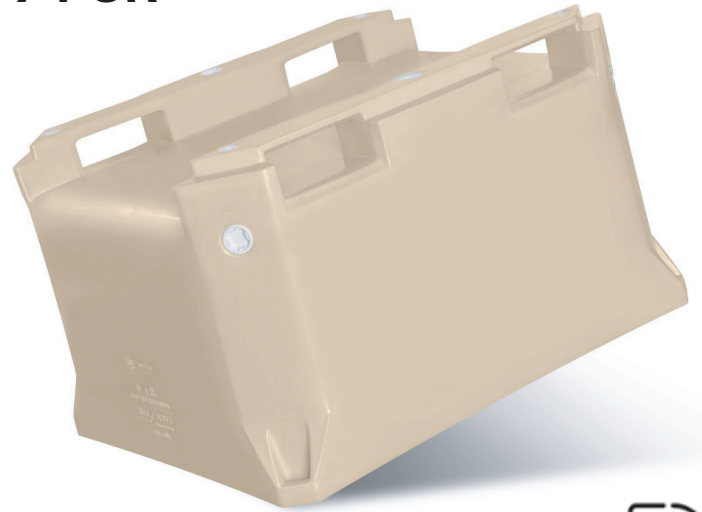


BPLAST

Producer of the highest quality

insulated containers

TYPE 660-7 PUR



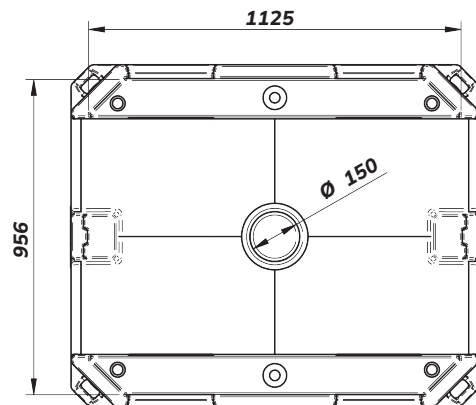
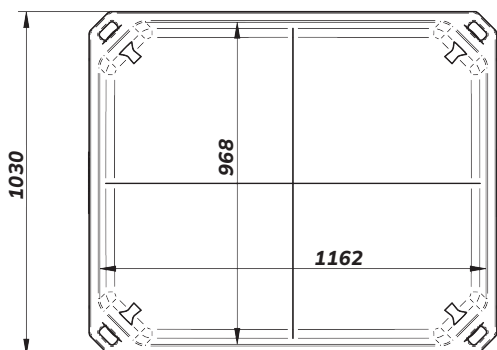
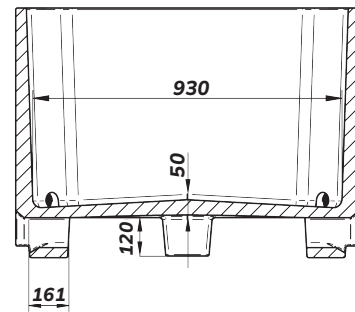
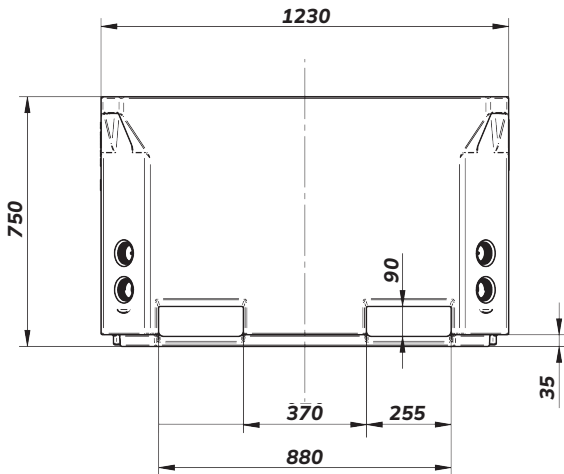
PRODUCT SPECIFICATION



PRODUCT ID FP-660-7 PUR
MATERIAL virgin PE-1A
INSULATION polyurethane foam (PUR)



DIMENSIONS	Exterior	Interior maximum	Interior minimum
LENGTH	1230 mm	1170 mm	1141 mm
WIDTH	1030 mm	970 mm	946 mm
HEIGHT	750 mm	580 mm	566 mm



values in mm



BPLAST

Producer of the highest quality

insulated containers

CAPACITY	620 L
WALL THICKNESS	32 mm
WEIGHT	60 kg
DRAIN HOLES	0 - 1 - 2 - 3 - 4 / 2" BCS 56 x 4
STACKABLE WITH	type 460 / 650 / 660

DEDICATED LID (additional equipment)

top



bottom



variant no. 1

bottom



variant no. 2

CHARACTERISTIC

- smooth, solid and hygienic walls and bottom
- 2 runners
- up to 4 drainage holes with stoppers
- gravity floor and drips for easier drainage
- suitable for contact with perishable products
- strong and robust corners allowing safe operating with crane's lifting hooks
- stackable with or without lid
- rounded design for easy washing and cleaning
- pallet truck access from all 4 sides
- available in beige and blue colour, other colours upon request
- long lasting UV-protection

IMPORTANT

- dimensional tolerance $\pm 3\%$, any changes and errors reserved.
- all technical data provided are guide values - they may vary because of specific applications and conditions, the information provided are based on the current knowledge and experience.
- the user is obliged to carry out its own tests and inspections before regular usage of the product.

BPLAST

ul. Artura Grottgera 16 E
76-200 Słupsk, Poland (PL)

tel. +48 59 845 75 85

e-mail: info@bplast.pl

www.bplast.pl